

ZEVAC TWIN



The same trusted ZEVAC operation, **now faster, lighter, and more versatile than ever before.** Perfect for everything from distribution mains to pigging. ZEVAC TWIN brings vent gas recovery to every jobsite.

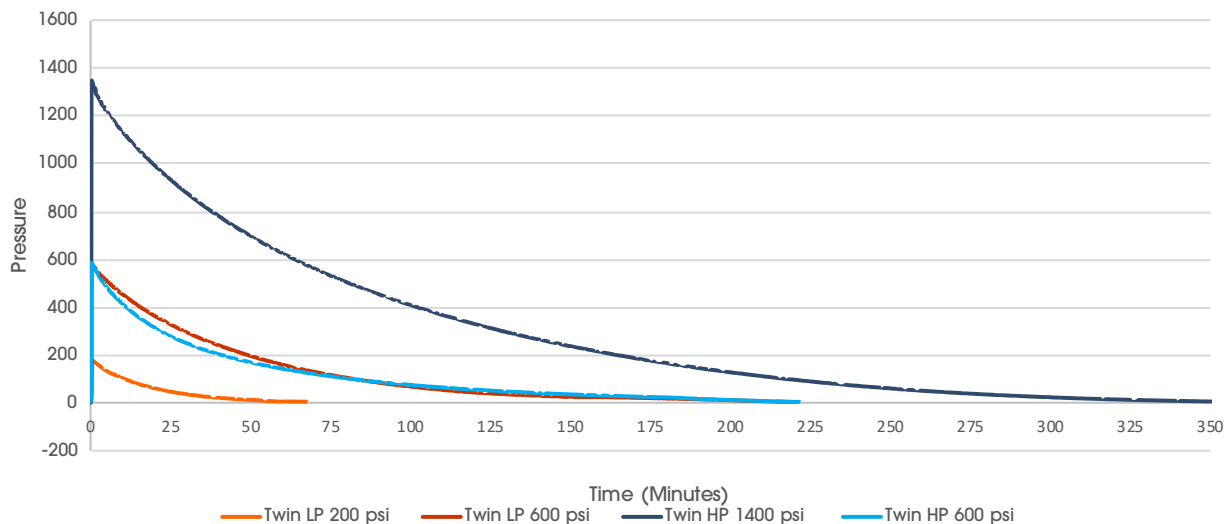
ZEVAC TWIN LP

58.5" x 41" x 46" | 1850 lbs
Pressure Range: 0 - 600* psig

ZEVAC TWIN HP

58.5" x 41" x 46" | 1850 lbs
Pressure Range: 0 - 1500* psig

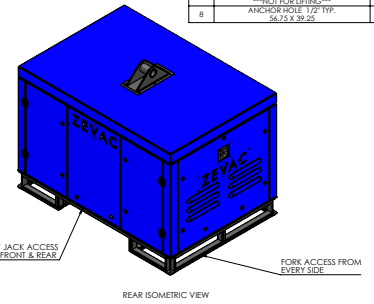
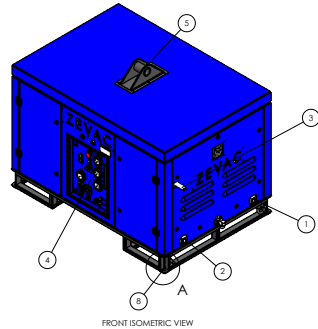
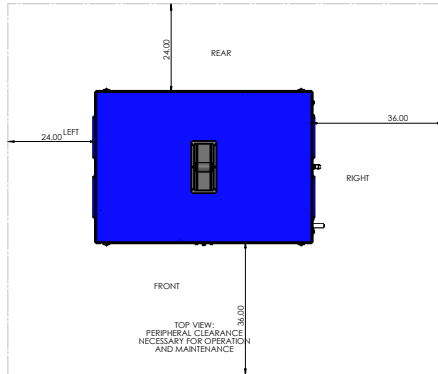
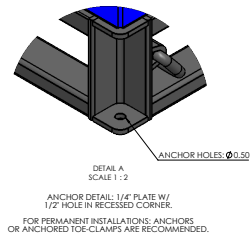
Gen IV Twin Drawdown Curve



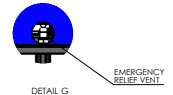
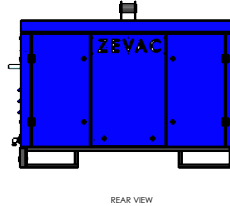
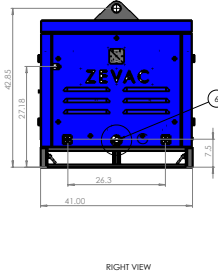
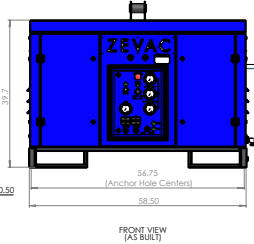
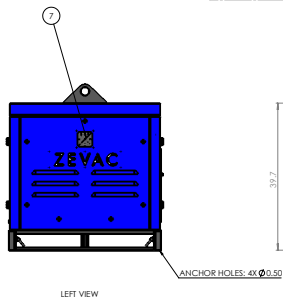
NOTE: Air supply for each test was the same: 700 cfm at 150 psig. Results can vary depending on many factors including air compressor, temperature, hose length, etc.

*Differential Pressure values are based on 125 psi supply air. This value can change depending on supply air pressure.

THE PROVEN SOLUTION ANYWHERE VENTING HAPPENS



BILL OF MATERIALS		
ITEM	DESCRIPTION	MTR
1	GAS DISCHARGE/INLET 2\"/>	



VENT DETAIL:
FOR NORMAL, MOBILE OPERATION THIS 1/2\"/>

NET WEIGHT: 1850 LBS

TPE MIDSTREAM	
DATE	REV
11/11/2020	1
ZEVAC GEN4 TWIN	
D	A
Z-A-060	A
SCALE: 1:16	ASSEMBLY SHEET 1 OF 2

